

AMIGOS - BLUETOOTH DOT MATRIX IMPACT PRINTER 57mm/2"-QA212i Ver 1.0

BLUETOOTH DOT MATRIX IMPACT PRINTER

57mm /2"- QA212i



Confidential

1. The content of this USER Manual is the property of Amigos – AMIGOS Technologies, and shall not be reproduced in any means, such as Electronic, Photocopy, FAX or any other form of copy.
2. This document may not be upto date as the Products release may have different specifications. However effort is always made to keep the contents up to date, it is the responsibility of the USER to check for latest updates.
3. Amigos – AMIGOS Technologies shall be liable for any damages caused due to misuse of the product, modification/alteration by Purchaser or Purchaser's customer or any third party.



Technical specification

Paper width	QA21-2i 57mm +/- 1mm
Printing width	48mm +/- 1mm
BATTERY	2200mAh, Li Ion Battery
Battery charge indication	LED BAR METER indication
Charger	100V to 300V Battery Charger
Carry Bag	Carry case with a hanging belt
Carry Clip	Belt mounting carry clip
Data memory buffer	8K+8K bytes
Communication	
Bluetooth	Class 2 Bluetooth
	~10 meters range
	Blue LED indicating Status
USB	USB communication with micro USB port



List of Items

1. Bluetooth Printer Unit
2. Charger (I/P – 100 to 300V,O/P -9.6VDC)
3. Bag for the printer Unit to carry.
4. Paper Roll feeder
5. Battery (2200mAh,Li Ion Battery)

Front Panel Indicators & Switches

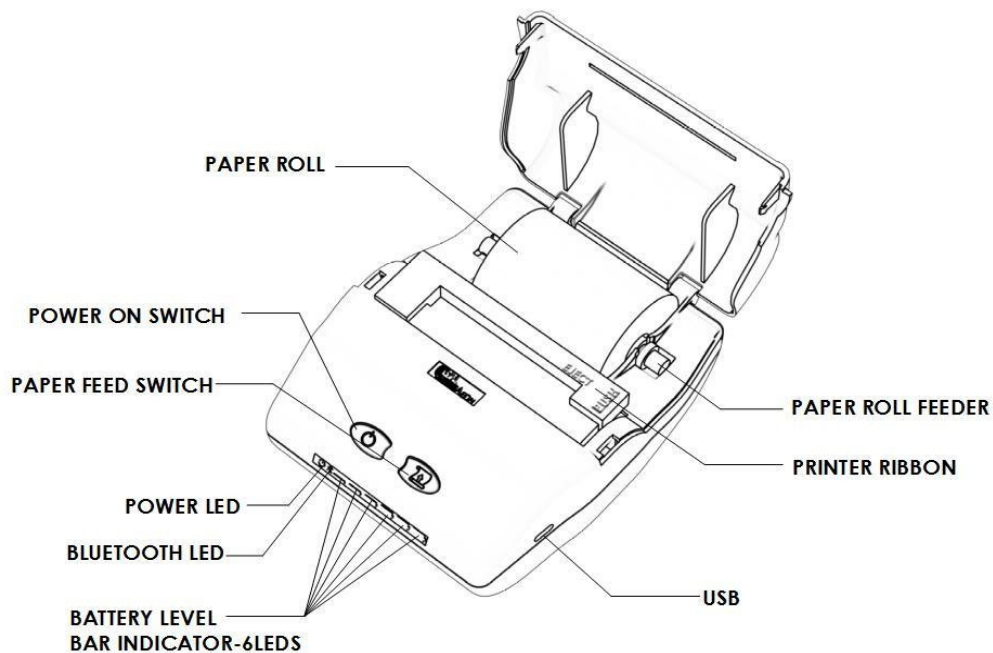


Fig. 1

POWER ON SWITCH

Press and Hold this button for two seconds to turn on the Printer

PAPER FEED SWITCH

POWER ON LED

This RED colored LED, indicates the power on, and does not blink

PAPER ROLL

A Paper roll of 57mm and a maximum of 58mm Diameter Plain Paper rolls shall be used.

Note: Care should be taken to ensure that the paper roll shall be dry and good quality. Using poor quality paper will affect the life of Printer.

Loading Paper Roll

Open paper cover and insert the paper roll. Place the paper in a paper feed slot and press the paper feed switch until paper rolls out of the slot. (Printer should be in ON condition).

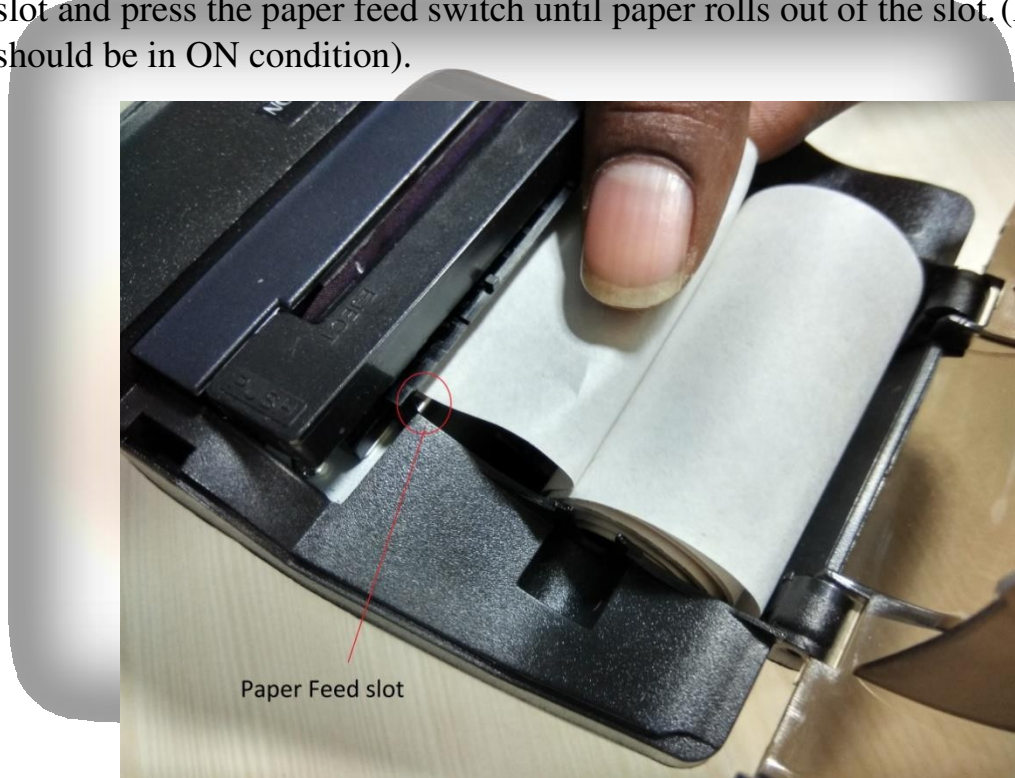


Fig : 2

Charger Input: Use the supplied Charger to charge the Battery

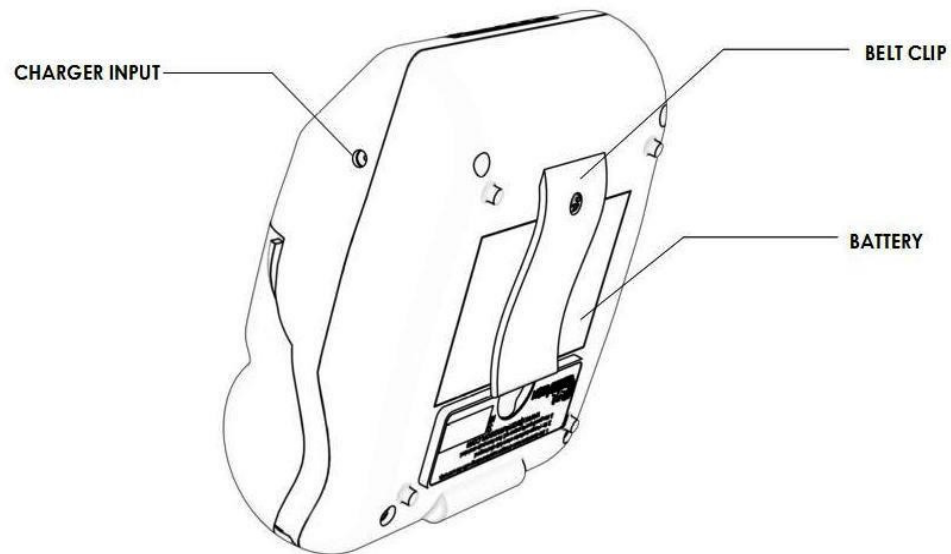


Fig. 3

Battery: Use only the Amigos Battery pack. Using spurious makes would affect the Printer and are hazardous.

BELT CLIP

This clip helps in carrying the Printer on to a Persons Trouser Belt.

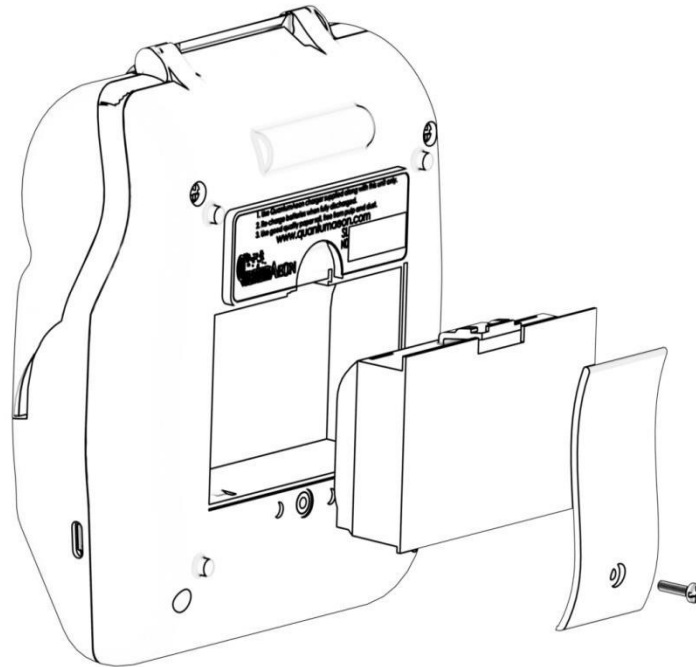


Fig. 4

To change Battery refer the Fig.4 Shown above.

Printer Self Test

Press the PAPER FEED Switch and hold and PRESS the POWER ON Switch for few seconds and wait till the Printer gets in to diagnostic printing mode.

Connecting to a Mobile Phone through Bluetooth

Keep the Mobile Phone Bluetooth ON and Search for devices.

AMIGOS 3t???????? where **????????** is the serial no of the Printer which will be displayed. Pair the Printer and use.

Command Set used by Software programmers

Sl. No	HEX VALUE	COMMAND SENT FROM HOST to PRINTER	Command Extended class	Description
1	0x11	XON		Printer ready
2	0x13	XOFF		Printer Busy
3	0x04	EOT		Printer buffer empty
4	0x1B 0x n	0x1B 'K' n	ESC K n n value is - -0x03 normal -0x08 large height -0x12 Double width	K is Font selection, n stands for font height type normally it will print normal height.
5		CR(0x0D).		Carriage Return
6		LF(0x0A).		Line feed

NOTE: For BLUETOOTH PRINTER VERSIONS 02D ,02E for printing the font of a same default height following protocols should be used.

- For adding extra linefeed of Normal height use following protocols in versions 02D, 02E:

```
mmOutputStream.write(0X1B);
mmOutputStream.write(0x4B);
mmOutputStream.write(0X03);
mmOutputStream.write(" ".getBytes());
```

```
mmOutputStream.write(0X0D);
mmOutputStream.write(0X0A);
```

This will print one line feed, if we need to print one more linefeed we should use same set of protocols again i.e. for each linefeed protocol should be used.

- For printing font of an EXTRA LARGE height use following protocols in 02E version (NOT APPLICABLE IN OTHER LOWER VERSIONS):


```
mmOutputStream.write(0X1B);  
mmOutputStream.write(0x4B);  
mmOutputStream.write(0X08);  
mmOutputStream.write("ABCDEFGHJKLMNOPQRSTUVWXYZ".getBytes());  
mmOutputStream.write(0X0D);  
mmOutputStream.write(0X0A);
```

For every line we need to add the font height protocol whether it is small large or normal even though Bluetooth Printer having version 02D and lower can print only SMALL and LARGE height font.

- For printing font of a Double Width use following protocols in 02E version (NOT APPLICABLE IN OTHER LOWER VERSIONS):

```
mmOutputStream.write(0X1B);  
mmOutputStream.write(0x4B);  
mmOutputStream.write(0X12);  
mmOutputStream.write("ABCDEFGHJKLMNOPQRSTUVWXYZ".getBytes());  
mmOutputStream.write(0X0D);  
mmOutputStream.write(0X0A);
```

For every line we need to add the font width protocol whether it is double or normal even though Bluetooth Printer having version 02D and lower can print only SMALL and LARGE height font.

